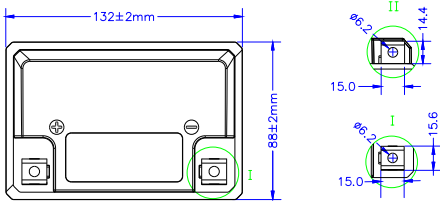
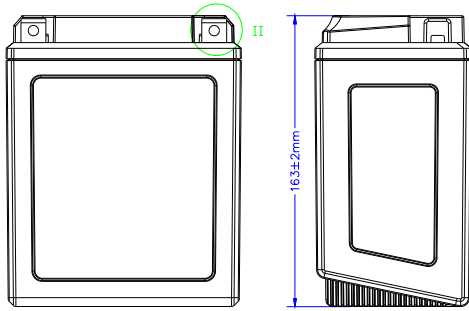


MODEL: NaCRYB14 Pro



PARAMETER

Volts	12V	
Rated Capacity	13.5Ah(10 hours rate)	
Charging cut-off voltage	15V	
Starts Power(25°C)	≥80000times	
Appx.Dimension	10 hours rate	162Wh
	Length	132±2mm(5.20inch)
	Width	88±2mm(3.46inch)
Weight	Height	163±2mm(6.42inch)
	2.06±5%Kg(4.54pound)	
Using ambient temperature	Charge Temperature 0°C~55°C(32°F~131°F)	
	Discharge temperature -40°C~60°C(-40°F~140°F)	
Starting ability	Ambient temperature 25°C(77°F),Pulse discharge time ≤5 seconds	472.5A
	Ambient temperature -18°C(-0.4°F),Pulse discharge time ≤5 seconds	270A
Self discharge	Approximately 1.5%, Every month, 25°C(77°F)	
Charging method	Constant current and constant voltage charging	Temperature 25°C(77°F)
	Standard charge current:0.5C	
	Maximum charging current:3C	
Replace lead-acid battery type	Charging Voltage:15V	
	<small>YTX14AH YTX14AHL YTX14AH-B5 YTX14AHL-B5 12N14-3A YB14-B2 SYB14L-A2 YB12A-A YB12AL-A YB12AL-A2 YB12A-B YB14-A2 YB14L-A1 YB14L-A2 YB14L-B2</small>	

1.Ultra-strong starting performance

Support up to 35C pulse discharge at room temperature, Quick and reliable starting in -25°C low temperature environment.

3.Long shelf-life time

Full charge lasts for 18 months without recharging.

5.Super over-discharge resistance

Extreme over-discharge to 0 volts, no damage to the battery.

7.360° flexible installation

No risk of leakage, easily mounted in any direction.

2.Excellent safety protection

The first internal protection device of the battery core electively prevents thermal runaway and ensures the usage safety.

4.Ultra-long life

Starting times ≥ 80,000 times.

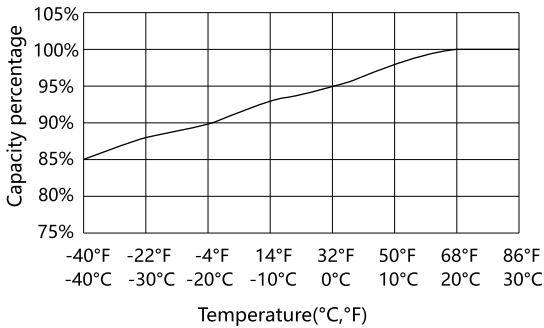
6.Extremely fast charging

3 minutes to meet the starting needs under the deficit state.

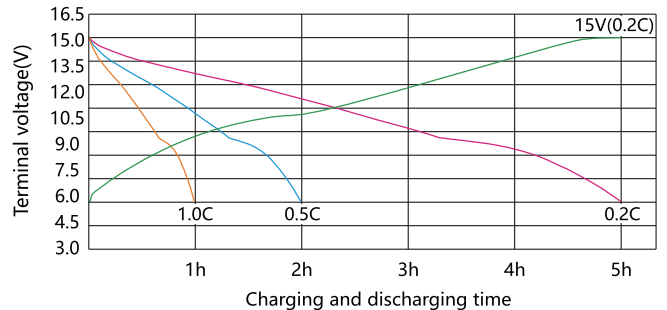
BATTERY STORAGE ENVIRONMENT

Suggested storage temperature	1 month	-20~45°C(-4°F~113°F)
	3 months	0~45°C(32°F~113°F)
	1 year	0~25°C(32°F~77°F)

TEMPERATURE AND CAPACITY(0.2C)



CHARGE DISCHARGE CURVE AND CHARGE DISCHARGE TIME 25°C(77°F)



PRECAUTIONS

- ★ Store the cell in a cool, dry and well-ventilated area.
- ★ The above parameters are for reference only, the accurate parameters shall be based on the actual production order.
- ★ During usage, it is strictly prohibited to reverse the positive and negative terminals of the battery.
- ★ Please use a special charger for Sodium-ion batteries when charging.
- ★ If other types of 12V chargers are used, there may be a deviation in charging capacity.
- ★ Do not overcharge, otherwise, it may cause overheating and fire accident.