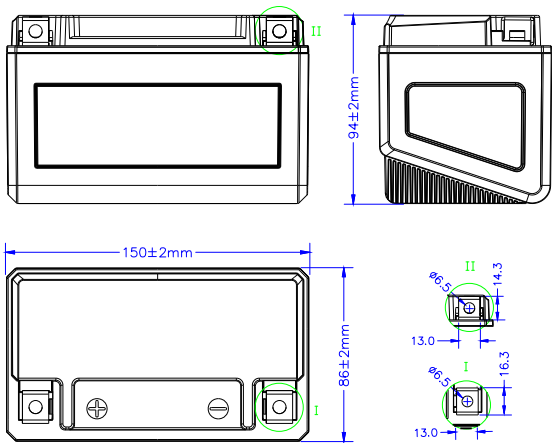


## MODEL: NaCR7A Pro



### PARAMETER

Volts	12V	
Rated Capacity	7Ah(10 hours rate)	
Charging cut-off voltage	15V	
Starts Power(25°C)	≥80000times	
Appx.Dimension	10 hours rate	84Wh
	Length	150±2mm(5.91inch)
	Width	86±2mm(3.39inch)
Weight	Height	94±2mm(3.70inch)
	1.36±5%Kg(2.99pound)	
Using ambient temperature	Charge Temperature 0°C~55°C(32°F~131°F)	
	Discharge temperature -40°C~60°C(-40°F~140°F)	
Starting ability	Ambient temperature 25°C(77°F),Pulse discharge time ≤5 seconds	245A
	Ambient temperature -18°C(-0.4°F),Pulse discharge time ≤5 seconds	140A
Self discharge	Approximately 1.5%, Every month, 25°C(77°F)	
Charging method	Constant current and constant voltage charging	Temperature 25°C(77°F)
	Standard charge current:0.5C	
	Maximum charging current:3C	
	Charging Voltage:15V	
Replace lead-acid battery type	UTX7A-BS UTX10S YTX10S YTX7A-BS	

### 1.Ultra-strong starting performance

Support up to 35C pulse discharge at room temperature, Quick and reliable starting in -25°C low temperature environment.

### 3.Long shelf-life time

Full charge lasts for 18 months without recharging.

### 5.Super over-discharge resistance

Extreme over-discharge to 0 volts, no damage to the battery.

### 7.360° flexible installation

No risk of leakage, easily mounted in any direction.

### 2.Excellent safety protection

The first internal protection device of the battery core electively prevents thermal runaway and ensures the usage safety.

### 4.Ultra-long life

Starting times ≥ 80,000 times.

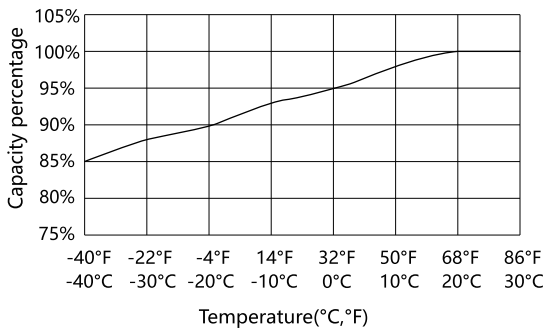
### 6.Extremely fast charging

3 minutes to meet the starting needs under the deficit state.

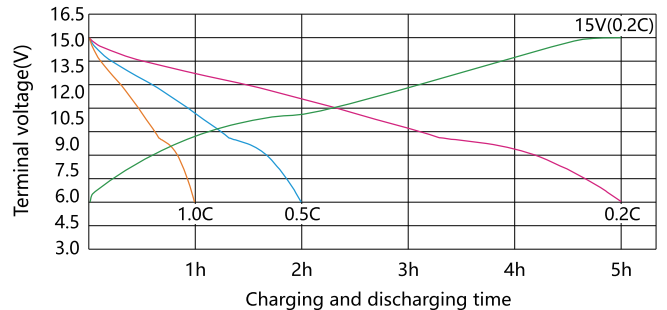
### BATTERY STORAGE ENVIRONMENT

Suggested storage temperature	1 month	-20~45°C(-4°F~113°F)
	3 months	0~45°C(32°F~113°F)
	1 year	0~25°C(32°F~77°F)

### TEMPERATURE AND CAPACITY(0.2C)



### CHARGE DISCHARGE CURVE AND CHARGE DISCHARGE TIME 25°C(77°F)



### PRECAUTIONS

- ★ Store the cell in a cool, dry and well-ventilated area.
- ★ The above parameters are for reference only, the accurate parameters shall be based on the actual production order.
- ★ During usage, it is strictly prohibited to reverse the positive and negative terminals of the battery.
- ★ Please use a special charger for Sodium-ion batteries when charging.
- ★ If other types of 12V chargers are used, there may be a deviation in charging capacity.
- ★ Do not overcharge, otherwise, it may cause overheating and fire accident.